



FEATURES

- Smooth response — excellent for PA use and recording
- Rugged die-cast construction
- Attractive styling

DESCRIPTION AND APPLICATIONS

The Electro-Voice Model 911 is an omnidirectional crystal microphone. This compact, sturdily designed microphone has excellent fidelity, high output level and pleasing appearance, ideal for music and speech pickup. It is especially designed for public address work, all types of dispatching call systems, paging systems, auditoriums, churches, hotels, theaters, amateur radio and general communications service.

The Model 911 is of sturdy construction which will withstand a maximum of hard usage. The unit is enclosed in a high quality pressure cast metal case of modern design with a tiltable head so that it may be directed at the sound source for selective pickup. Large bearing surfaces give smooth adjustment without the use of thumb nuts. A screw at the side provides take-up for wear. A screw at the side provides take-up for wear. A single contact type connector is built into the lower mounting stud, relieving the strain on the cable and connector when the microphone is tilted.

It is recommended that the output of the Model 911 be fed into the grid of the first tube across a resistance from .5 to 2 megohms. The Model 911 has an exceptionally high output level making it possible to operate the gain of the amplifier at a lower level, thus reducing tube noise.

SPECIFICATIONS

Generating Element:	Crystal
Frequency Response:	50 to 10,000 cps
Polar Pattern:	Omnidirectional
Impedance:	Hi-Z
Output Level:	-50 db
EIA Sensitivity Rating:	-150 db
Case Material:	Die-cast zinc

Dimensions:	Width: 2-3/8 inches Height: 6-3/4 inches Depth: 2-7/8 inches
Finish:	Satin Chrome
Net Weight:	1 lb., 8 ounces
Switch:	On-Off switch
Cable:	16-foot single conductor, shielded
Cable Connector:	MC-1

Warranty: The Model 911 is guaranteed against defects in materials and workmanship. Damage to the crystal element due to exposures to temperatures exceeding 112° fahrenheit is not covered by this guarantee.

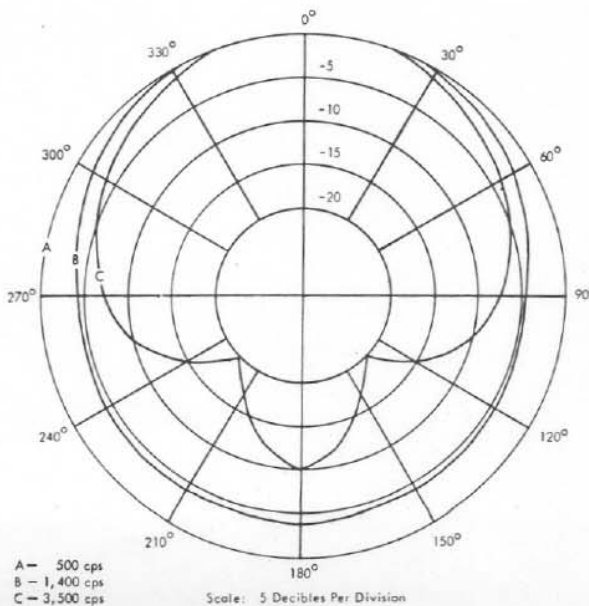


Fig. 1-Polar Pattern

911 OMNIDIRECTIONAL CRYSTAL MICROPHONE

ARCHITECTS' AND ENGINEERS' SPECIFICATIONS

The microphone shall be an omnidirectional, crystal type, with uniform frequency response from 50 to 10,000 cps. The microphone shall have a high impedance output that shall work into a standard grid resistance of from .5 to 2 megohms. The high-impedance output level shall be -50 db with 0 db equalling 1 volt/dyne/cm². The EIA sensitivity rating shall be -150 db.

The case shall be of high-pressure die-cast zinc with a satin chrome finish. The microphone shall have a maximum net weight of 1-1/2 lb. A 16-ft. single-conductor shielded synthetic rubber-jacketed cable shall be provided. The microphone shall have a cable connector similar or equivalent to a MC-1 Amphenol. The mounting stud shall permit tilting the microphone without strain on the connector or cable, and include a built-in On-Off switch. The Electro-Voice Model 911 is specified.

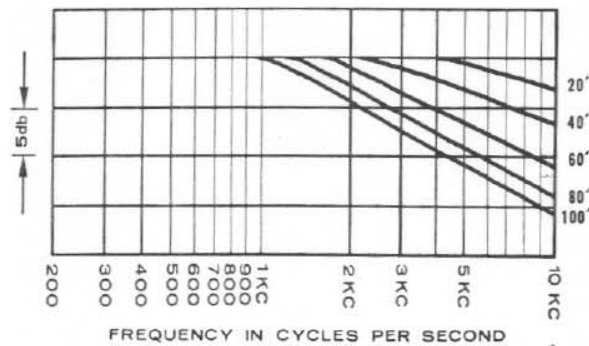


Fig. 2-

Attenuation Effect of Extra Cable Length when Installed on 25,000 ohm (Hi-Z) Microphones.

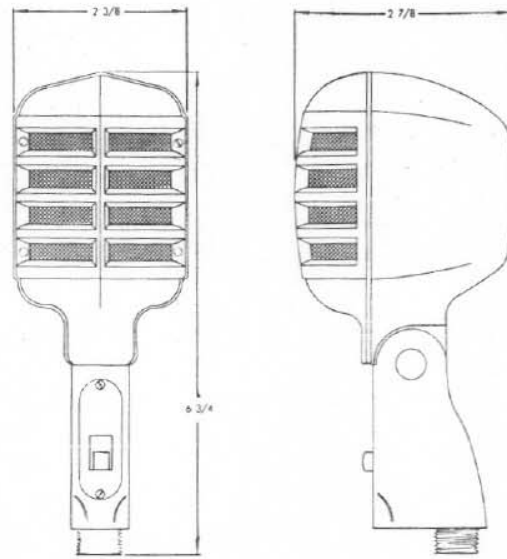


Fig. 3-Dimensions

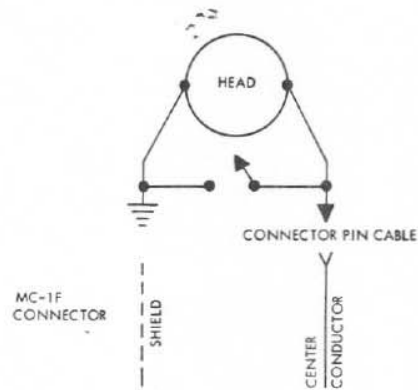
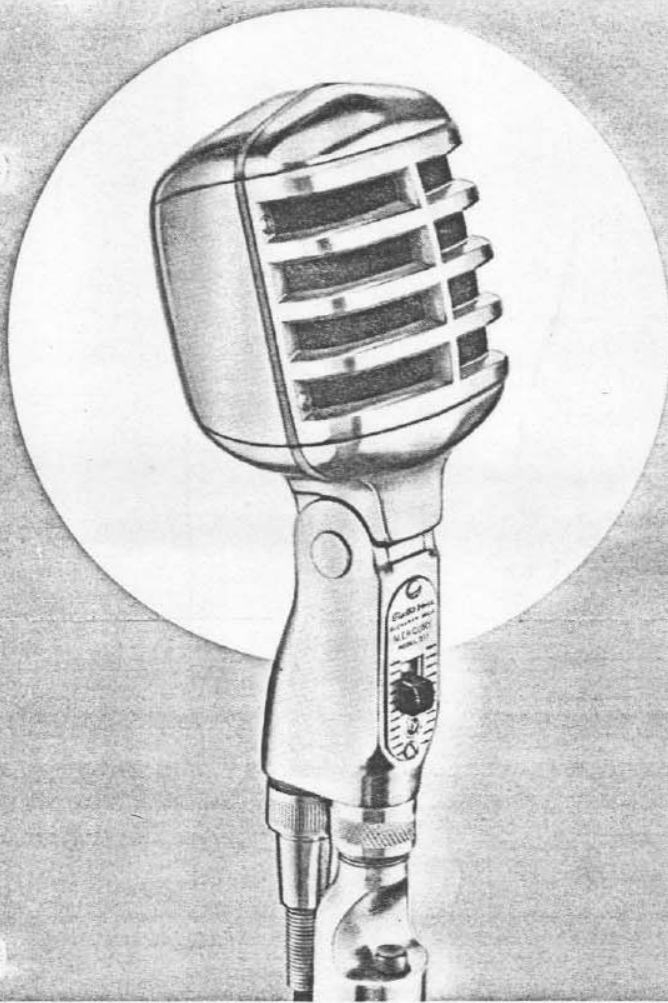


Fig. 4-Wiring Diagram

Electro-Voice

DYNAMIC *Model 611*

CRYSTAL *Model 911*



The MERCURY

... A Great New Value that gives you the Most in Quality Features ... at this price!

Another E-V triumph! Here is *style* ... here is *performance* ... here are *extra features* that make the MERCURY today's foremost value in low-cost general-purpose microphones! Gives you important advantages of E-V engineering. Adds smartness and utility to economical public address and paging systems, recording equipment, ham rigs. *Smooth response* over a wide frequency range and *high output level* assure fine reproduction of voice and music. Compact, easy to handle. Ruggedly built of choice materials and finished in Satin Chromium ... for reliable service.

Moving coil Dynamic Models 611-8 and 611-20 are available in Hi-Z (direct-to-grid 25,000 ohms), 50, 150, 250, or 500 ohms impedance. Crystal Models 911-8 and 911-20 are Hi-Z.

Model 611-8. DYNAMIC. With 8 ft. cable. List Price... **\$29.50**

Model 611-20. DYNAMIC. With 20 ft. cable. List Price... **\$31.00**

Model 911-8. CRYSTAL. With 8 ft. cable. List Price... **\$22.50**

Model 911-20. CRYSTAL. With 20 ft. cable. List Price... **\$24.00**

E-V RESEARCH BRINGS YOU ALL THIS IN THE MERCURY

High Output... Smooth Wide-Range Response... Tilttable Head... "On-Off" Switch... Satin Chromium Finish
Acoustalloy Diaphragm in Model 611 ... Metal Seal Crystal in Model 911

Model 611 (Dynamic)

Output Level Rating: 53 db below 1 volt/dyne/cm², open circuit.

Frequency Response: 50-8,000 c.p.s., substantially flat.

Impedance: Available in Hi-Z (direct-to-grid, 25,000 ohms), 50, 150, 250 or 500 ohms. Low impedances balanced to ground.

Polar Pattern: Non-directional at low frequencies, becoming directional at higher frequencies.

Diaphragm: Exclusive *Acoustalloy* ... withstands high humidity, temperature extremes, effects of salt air, and mechanical shocks.

Magnetic Circuit: Employs Alnico V and Armco magnetic iron, in non-welded magnetic circuit.

"On-Off" Switch: Sliding contact type. Short circuits microphone in "Off" position. Accessible for reconnecting as relay control.

Tilttable Head: Large bearing surfaces give smooth, firm tilt adjustment ... wear take-up provided by screw on side.

Cable Connector: Built-in locking type.

Microphone Case: Highest purity (99.99%) pressure cast metal.

Cable: 8 ft. or 20 ft. well-shielded rubber jacketed cable.

Stand Coupler: Standard $\frac{3}{8}$ "-27 thread.

Finish: Durable Satin Chromium.

Dimensions: $2\frac{3}{8}$ " x $3\frac{3}{8}$ " x $6\frac{1}{4}$ ", including stud. Net wt.: 2 lbs.

Model 911 (Crystal)

Output Level Rating: 50 db below 1 volt/dyne/cm².

Frequency Response: 50-8,000 c.p.s., substantially flat.

Impedance: Hi-Z. Can be used with any standard amplifier employing high impedance input.

Polar Pattern: Non-directional at low frequencies, becoming directional at higher frequencies.

Diaphragm: Duralumin, treated to resist corrosion.

Crystal: High capacity. Metal Seal—fully enclosed for greater moisture protection.

"On-Off" Switch: Sliding contact type. Short circuits microphone in "Off" position. Easily reconnected for relay control.

Tilttable Head: Large bearing surfaces give smooth, firm tilt adjustment ... wear take-up provided by screw on side.

Cable Connector: Built-in MC-1 type.

Microphone Case: Highest purity (99.99%) pressure-cast metal.

Cable: 8 ft. or 20 ft. of well-shielded rubber jacketed cable.

Crystal Cartridge Grille: Spun glass of uniform thread size and mesh ... chemically inert and non-hygroscopic.

Wind Screen: Dual grille cloths minimize wind, breath noise.

Finish: Durable Satin Chromium. **Stand Coupler:** $\frac{3}{8}$ "-27 thread.

Dimensions: $2\frac{3}{8}$ " x $3\frac{3}{8}$ " x $6\frac{1}{4}$ ", including stud. Net wt.: 1 $\frac{1}{4}$ lbs.

ELECTRO-VOICE, INC., BUCHANAN, MICH. Export: 13 East 40th St., New York 16, U.S.A. Cables: Arlab

NO FINER CHOICE THAN

Electro-Voice